

DATE	REMARKS	NO.
	REVISIONS	

C.KAVOLINAS & ASSOCIATES INC.  
 BCSLA CSLA  
 2462 JONQUIL COURT  
 ABBOTSFORD, B.C.  
 V3G 3E8  
 PHONE (604) 857-2376

CLIENT  
 1274147 BC LTD  
 MR. MOHAMMAD DOAR  
 114 NONA PLACE  
 NANAIMO, B.C.  
 V9V 1B6

TITLE  
 PLAN VIEW  
 LANDSCAPE PLAN  
 PROPOSED  
 TOWNHOUSE DEVELOPMENT  
 4585 HAMMOND BAY ROAD  
 4585 HAMMOND BAY ROAD  
 NANAIMO, B.C.

SCALE 1:200	DATE OCT/21
DRAFT	CHK'D
ENG.	CHK'D
APPR'D	AS BUILT

PRINTED	JOB No.
	DRAWING No.
	L-1

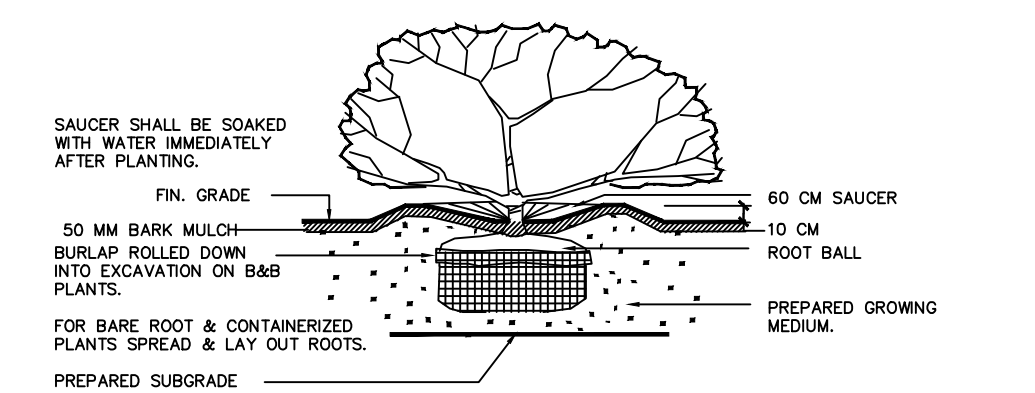
RECEIVED  
 DP1250  
 2021-OCT-29  
 Current Planning

PLANT LIST						
KEY	BOTANICAL NAME	COMMON NAME	QTY.	SIZE	SPACING	REMARKS
☀	THUJA PLICATA	WESTERN RED CEDAR	5	2.50 METERS	AS SHOWN	B. & B.
☀	LIQUIDAMBAR STYRACIFLUA 'SLENDER SILHOUETTE'	SLENDER SILHOUETTE SWEET GUM	9	6 CM. CAL.	AS SHOWN	B. & B.
☀	CORNUS FLORIDA 'RUBRUM'	RED FLOWERING DOGWOOD	2	6 CM. CAL.	AS SHOWN	B. & B.
☀	ACER RUBRUM 'BOWHALL'	BOWHALL RED MAPLE	6	6 CM. CAL.	AS SHOWN	B. & B.
☀	CORNUS NUTTALLII	PACIFIC DOGWOOD	4	6 CM. CAL.	AS SHOWN	B. & B.
☀	ACER PALMATUM 'BLOODGOOD'	BLOODGOOD JAP. MAPLE	2	3.00 METERS	AS SHOWN	B. & B.
☀	ACER RUBRUM 'OCTOBER GLORY'	OCTOBER GLORY MAPLE	3	6 CM. CAL.	AS SHOWN	B. & B.
⊕	AZALEA JAPONICA 'HINO CRIMSON'	CRIMSON AZALEA	55	#3 POT	90 CM. O.C.	
⊕	AZALEA NORTHERN LIGHTS 'MANDARIN LIGHTS'	NORTHERN LIGHTS AZALEA	28	#3 POT	90 CM. O.C.	
⊕	AZALEA JAPONICA (VARIOUS)	JAPANESE AZALEA	23	#3 POT	90 CM. O.C.	
⊕	ABELIA 'EDWARD GOWCHER'	EDWARD GOUCHER ABELIA	26	#3 POT	90 CM. O.C.	
⊕	MEDIUM RHODODENDRON (VARIOUS)	RHODODENDRON	80	#3 POT	90 CM. O.C.	
⊕	HOSTA (VARIOUS)	HOSTA	51	#3 POT	90 CM. O.C.	
⊕	SYRINGA VULGARIS 'MICHEL BUCHNER'	LILAC	34	#3 POT	90 CM. O.C.	
⊕	PRUNUS LAUROCERASUS 'OTTO LUYKEN'	OTTO LUYKEN LAUREL	340	#3 POT	70 CM. O.C.	
⊕	THUJA OCCIDENTALIS 'SMARAGD'	EMERALD ARBORVITAE	88	1.50 METERS	70 CM. O.C.	
⊕	HYDRANGEA MACROPHYLLA 'NIKKO BLUE'	HYDRANGEA	57	#3 POT	90 CM. O.C.	
⊕	POLYSTICHUM MUNITUM	SWARD FERN	240	#3 POT	90 CM. O.C.	
⊕	GAULTHERIA SHALLON	SALAL	450	#1 POT	60 CM. O.C.	
⊕	BUXUS MACROPHYLLA 'WINTER GEM'	ASIAN BOXWOOD	21	#3 POT	45 CM. O.C.	
⊕	POLYSTICHUM MUNITUM	SWARD FERN	25	#3 POT	90 CM. O.C.	
⊕	CORYLUS CORNUTA	BEAKED HAZELNUT	43	#2 POT	AS SHOWN	WELL BRANCHED
⊕	CRATAEGUS DOUGLASSII	BLACK HAWTHORN	38	#2 POT	AS SHOWN	WELL BRANCHED
⊕	PHYSCARPUS CAPITATUS	PACIFIC NINE-BARK	42	#2 POT	AS SHOWN	WELL BRANCHED
⊕	CORNUS SERICEA	RED OSIER DOGWOOD	28	#2 POT	AS SHOWN	WELL BRANCHED
⊕	SAMBUCUS RACEMOSA	RED ELDERBERRY	68	#2 POT	AS SHOWN	WELL BRANCHED
⊕	RUBUS PARVIFLORUS	THIMBLE BERRY	39	#2 POT	AS SHOWN	WELL BRANCHED
⊕	LONICERA INVOLUCRATA	BLACK TWINBERRY	37	#2 POT	AS SHOWN	WELL BRANCHED
⊕	RUBUS SPECTABILIS	SALMONBERRY	38	#2 POT	AS SHOWN	WELL BRANCHED

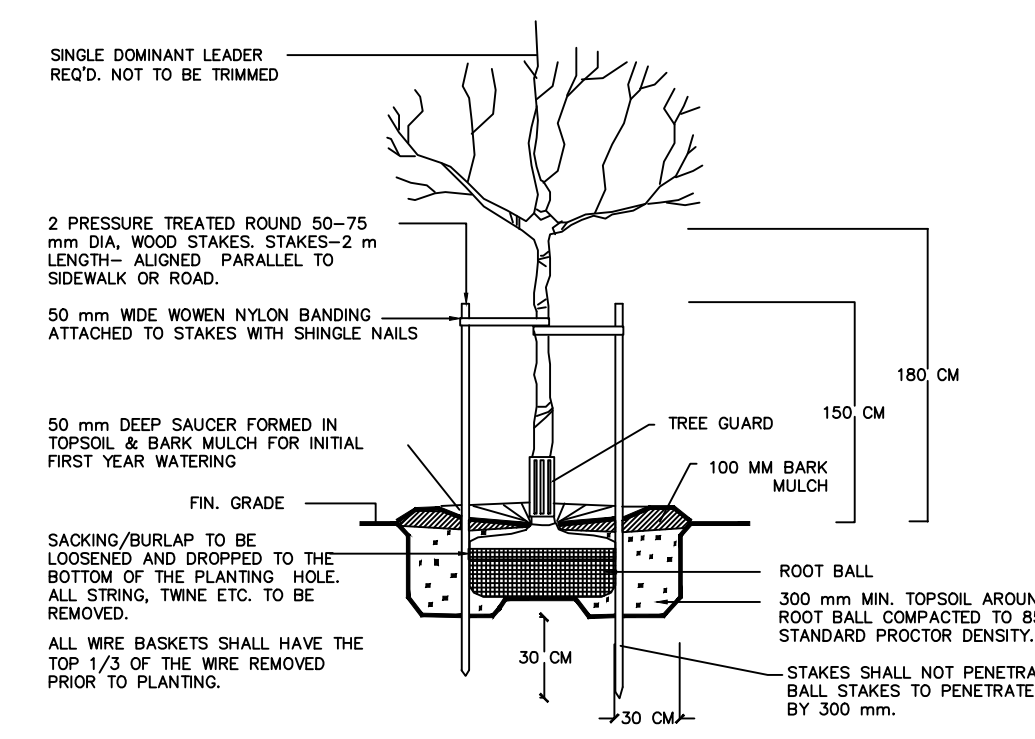
NOTES / GENERAL

- PLANT SIZES IN THIS LIST ARE SPECIFIED ACCORDING TO BC LANDSCAPE STANDARD "LATEST EDITION". CONTAINER SIZES ARE SPECIFIED AS PER "ONTARIO STANDARDS" BOTH PLANT SIZE AND CONTAINER SIZE ARE THE MINIMUM ACCEPTABLE SIZES. SEARCH AND REVIEW MAKE PLANT MATERIAL AVAILABLE FOR OPTIONAL REVIEW BY "LANDSCAPE ARCHITECT" AT SOURCE OF SUPPLY. AREA OF SEARCH TO INCLUDE LOWER MAINLAND AND FRASER VALLEY. "SUBSTITUTIONS" MUST OBTAIN WRITTEN APPROVAL FROM THE "LANDSCAPE ARCHITECT" PRIOR TO MAKING ANY SUBSTITUTIONS TO SPECIFIED MATERIAL. UNAPPROVED SUBSTITUTIONS WILL BE REJECTED. ALLOW A MINIMUM OF FIVE WORKING DAYS PRIOR TO DELIVERY FOR REQUEST TO SUBSTITUTE. SUBSTITUTIONS ARE SUBJECT TO "B.C. LANDSCAPE STANDARD"
- ALL PLANT MATERIAL MUST BE PROVIDED FROM CERTIFIED "DISEASE FREE" NURSERY. ALL PLANT MATERIAL MUST CONFORM TO THE LATEST EDITION OF THE "BC LANDSCAPE STANDARD". PROVIDE CERTIFICATION UPON REQUEST. ALL LANDSCAPING AND LANDSCAPE MATERIALS TO CONFORM TO THE LATEST EDITION OF THE BCNA/BCSLA "LANDSCAPE STANDARDS"
- MIN. GROWING MEDIUM DEPTHS OVER PREPARED SUBGRADE SHALL BE:
 

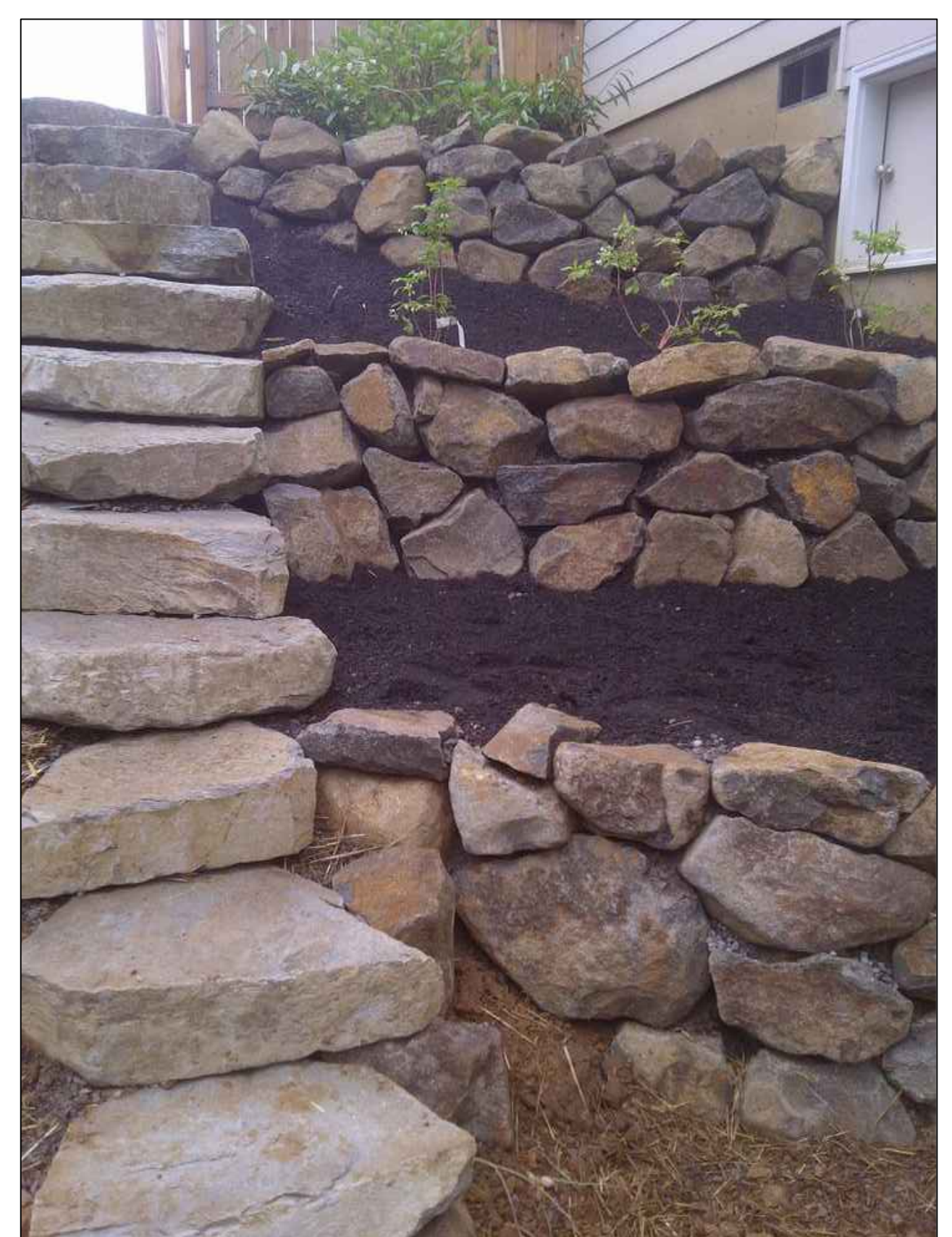
LAWN AREAS	300 mm
GROUND COVER AREAS	450 mm
SHRUB AREAS	450 mm
TREE PITS	300 mm AROUND ROOT BALL
- GROWING MEDIUM SHALL HAVE PHYSICAL AND CHEMICAL PROPERTIES AS DESCRIBED IN THE STANDARDS FOR LEVEL 2 AND LEVEL 3 AREAS, EXCEPT FOR AREAS OVER STRUCTURES WHERE THE MEDIUM SHALL CONFORM TO THE REQUIREMENTS FOR LEVEL 1 APPLICATIONS. PROCESSING AND MIXING OF GROWING MEDIUM COMPONENTS SHALL BE DONE OFF-SITE USING A MECHANIZED SCREENING PROCESS. PROPOSED GROWING MEDIUM SHALL BE TESTED BY A RECOGNIZED LABORATORY. THE CONTRACTOR SHALL GUARANTEE THAT THE SOIL SUBMITTED FOR TESTING IS A REPRESENTATIVE SAMPLE TAKEN FROM THE SOIL THAT WILL BE USED AT THE SITE.
- ON-SITE OR IMPORTED SOILS SHALL SATISFY THE REQUIREMENTS OF THE STANDARDS FOR GROWING MEDIUM. SOILS SHALL BE VIRTUALLY FREE FROM SUBSOIL, WOOD INCL, WOODY PLANT PARTS, WEED OR REPRODUCTIVE PARTS OF WEEDS, PLANT PATHOGENIC ORGANISMS, TOXIC MATERIALS, STONES OVER 30 MM AND FOREIGN OBJECTS.
- ALL PLANTING BEDS SHALL RECEIVE MIN. 50 MM BARK MULCH.
- PLANT SPECIES AND VARIETIES MAY NOT BE SUBSTITUTED WITHOUT THE APPROVAL OF THE LANDSCAPE ARCHITECT.
- THE CONTRACTOR SHALL GUARANTEE ALL MATERIALS AND WORKMANSHIP FOR A PERIOD OF ONE (1) FULL YEAR FROM THE DATE OF FINAL ACCEPTANCE, UNLESS OTHERWISE SPECIFIED. ALL PLANT MATERIAL NOT SURVIVING, OR IN POOR CONDITION DURING THE GUARANTEE PERIOD SHALL BE REPLACED BY THE CONTRACTOR AT NO EXTRA COST TO THE OWNER.
- THE CONTRACTOR SHALL CLEAR AWAY FROM THE SITE ALL RUBBISH AS IT ACCUMULATES, AND SHALL, AT THE COMPLETION OF THE WORK, LEAVE THE WORK AND THE SITE THEREOF IN A CLEAN AND PRESENTABLE CONDITION, FREE FROM ALL OBSTRUCTIONS.



PLANTING DETAIL - SHRUBS & GRD. COVER PLANTS  
SECTION N.T.S.



TREE PLANTING DETAIL  
SECTION N.T.S.



DATE	REMARKS	NO.
REVISIONS		

C.KAVOLINAS & ASSOCIATES INC.  
BCSLA CSLA  
2462 JONQUIL COURT  
ABBOTSFORD, B.C.  
V3G 3E8  
PHONE (604) 857-2376

CLIENT  
1274147 BC LTD  
MR. MOHAMMAD DOAR  
114 NONA PLACE  
NANAIMO, B.C.  
V9V 1B6

TITLE  
PLAN VIEW  
LANDSCAPE DETAILS  
PROPOSED  
TOWNHOUSE DEVELOPMENT  
4585 HAMMOND BAY ROAD  
4585 HAMMOND BAY ROAD  
NANAIMO, B.C.

SCALE	N.T.S.	DATE	OCT/21
DRAFT	CHK'D		
ENG.	CHK'D		
APPR'D	AS BUILT		

PRINTED	JOB No.	DRAWING No.	L-1A

RECEIVED  
DP1250  
2021-OCT-29  
Landscape Planning